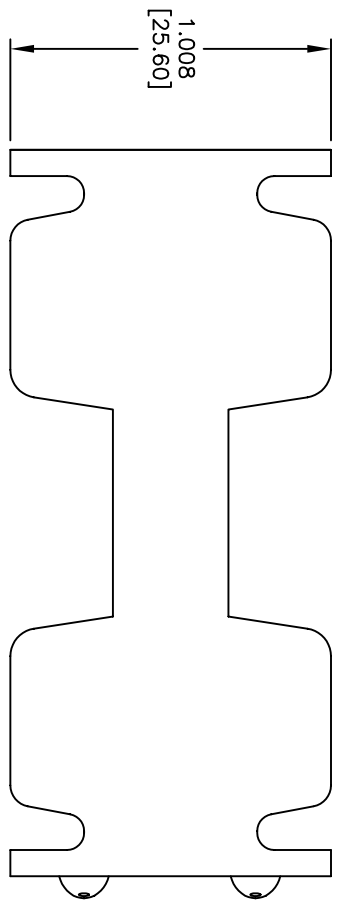
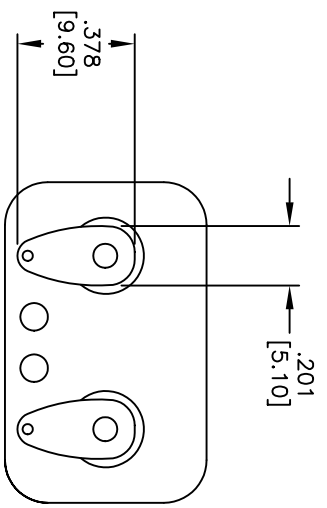
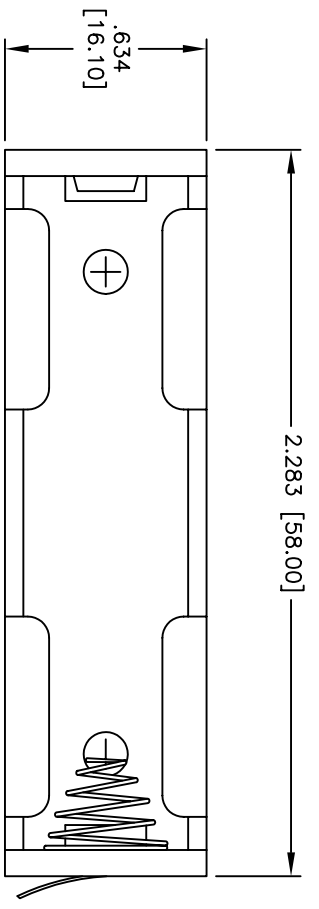


Rev	AWO #	Description	Date	Appr
-		RELEASED	1/14/05	

APPROVED: _____
 DATE: _____ TITLE: _____



SPECIFICATIONS:

Material: Insulator: Impact resistant Polypropylene, rated UL94-HB
 Insulator color: Black
 Springs: Steel, Nickel plated
 Contacts: Steel, Nickel plated
 Electrical: Operating voltage: 1.5 VDC max.
 Temperature Rating: Operating temperature: -10°C to +80°C
 Environmental: Lead free, RoHS compliant



ADAM TECH

909 Rahway Avenue, Union, NJ 07083
 Phone: 908-687-5000 Fax: 908-687-5710

TITLE: BATTERY HOLDER, SOLDER TERMINALS
 FOR TWO "AA" CELLS

UNLESS OTHERWISE SPECIFIED ALL DIMENSIONS ARE INCHES [MM] TOLERANCES: EXCEPT AS NOTED INCHES		HOLDS	
.X	± .10	ØX	± .10
.XX	± .020	ØXXX	± .015
.XXX	± .015	ØXXXX	± .010
APPROVALS		DATE	
DRAWN	SS	1/14/05	
CHECKED			
APPROVED			

REF:	SIZE	PART NO.	SCALE:	SHEET	REV.
X	X	BH-02-3	NTS	1 OF 1	-